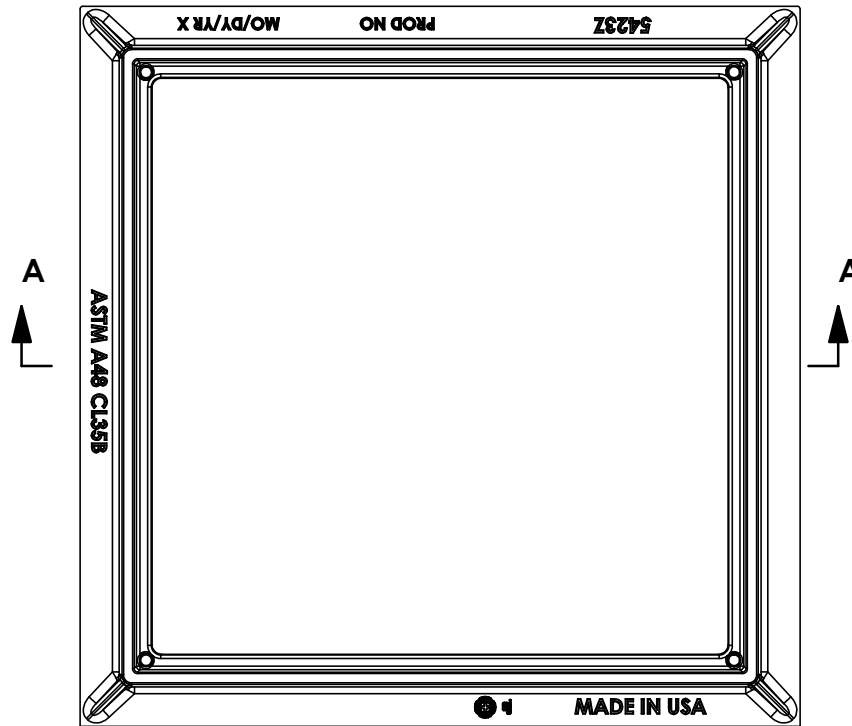


# 5423Z Frame



## Product Number

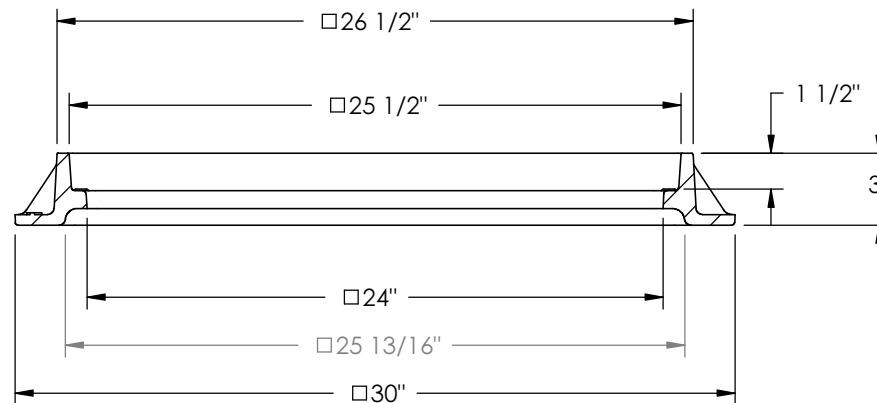
00542311

## Design Features

- Materials  
Gray Iron (CL35B)
- Design Load  
Heavy Duty HS-25
- Open Area  
n/a
- Coating  
Undipped
- √ Designates Machined Surface

## Certification

- ASTM A48
- 
- 
- Country of Origin: USA



SECTION A-A

## Drawing Revision

12/23/2008 Designer: DEW  
1/28/2014 Revised By: MAH

## Disclaimer

Weights (lbs/kg), dimensions (inches/mm) and drawings provided for your guidance. We reserve the right to modify specifications without prior notice.

CONFIDENTIAL: This drawing is the property of EJ Group, Inc. and embodies confidential information, registered marks, patents, trade secret information, and/or know how that is the property of EJ Group, Inc. Copyright © 2012 EJ Group, Inc. All rights reserved.

## Contact

800 626 4653  
ejco.com